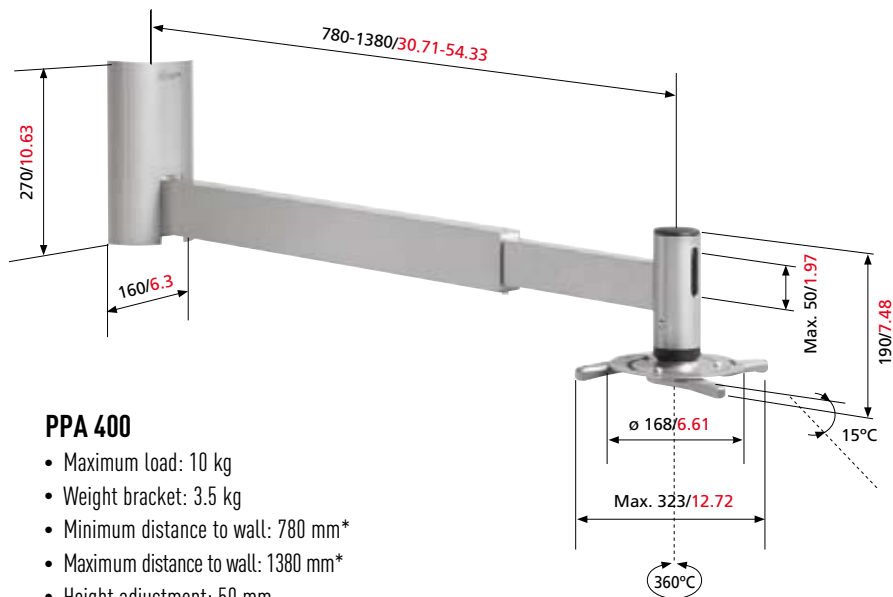


PPW 406 wall mount (for Sanyo PLC XL50)

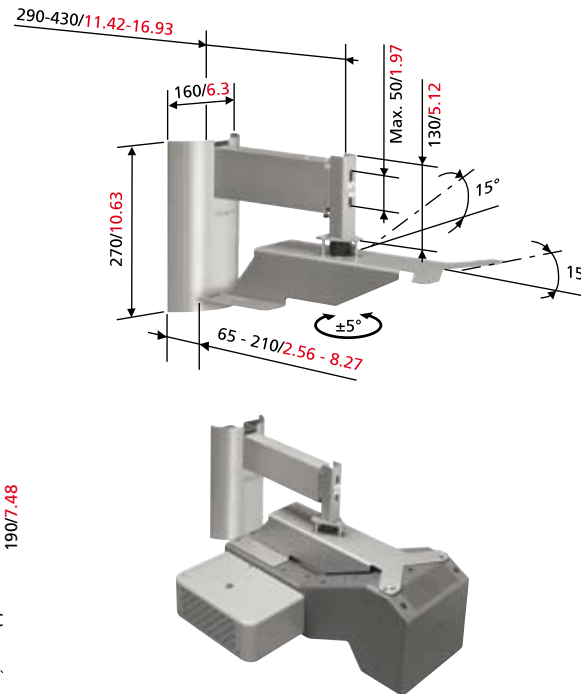
PPA 400 wall mount



PPA 400

- Maximum load: 10 kg
- Weight bracket: 3.5 kg
- Minimum distance to wall: 780 mm*
- Maximum distance to wall: 1380 mm*
- Height adjustment: 50 mm

*Distance measured from wall to centre adapter plate.



PPW 406

- Dedicated for Sanyo PLC XL50
- Maximum load: 10 kg
- Weight bracket: 3.1 kg
- Minimum distance to wall: 65 mm**
- Maximum distance to wall: 210 mm**
- Height adjustment: 50 mm

**Distance from wall to front projector.

Vogel's offers a wide range of projector mounting solutions:



PPC Series
Ceiling mounts



PPL Series
Lift systems



PPT 2300
Projector trolley

Request our extensive catalogue with our entire range of solutions: www.vogels.com/profcat

PX.70142 © 09/2008 Subject to printing errors, technical and price amendments.



SHORT THROW PROJECTOR MOUNTS

**EASY INSTALLATION AND
ADJUSTMENT**

SHORT THROW PROJECTOR MOUNTS

The interactive whiteboard market is a fast growing business. In order to serve this market, Vogel's introduces Short Throw projector mounts. An interactive whiteboard is basically a touch sensitive screen connected to a computer and projector. Short Throw projectors are preferred compared to standard projectors because of the reduced shadow effect and health and safety issues.

The PPA 400 wall mount is especially designed for this category. This wall mount has unique features especially for Short Throw applications which will reduce installing and adjustment time considerably. The PPA 400 has a height adjustment and correction functionality, a telescopic depth setting and a universal projector adapter. On top of that this wall mount has a stylish design and a lightweight aluminium construction.

The PPW 406 wall mount is especially designed for the Sanyo PLC XL50 projector. It contains the same features as the PPA 400. The tilt and roll functionality has been further refined, which makes adjustment even easier.



PPA 400



Cables neatly hidden

The cable management system neatly hides the cables out of sight.



Easy maintenance

Using the handy click in/click out system, makes it easy to attach or remove the projector, for service purposes.



Universal

The universal projector adapter will fit most projectors and has tilt, roll and turn functions for an optimal viewing position.

PPW 406 (for Sanyo PLC XL50)



Security

Pin lock screws are added for additional security.

Fine tune adjustment

Tilt, roll and turn functions ensures optimal calibration.

Solid and safe

The wall mounts are made out of durable and sturdy materials, which enables a steady projection image.

Easy installation

Due to the lightweight construction, installation can be done by one person only.

Easy adjustment

The projector can easily be adjusted in height and distance to the board.

